

Ref. 094122

ROPE ACCESS, TEAM RESCUE, TOWERS/INDUSTRY

An incredibly comfortable and supportive full body harness for intensive rope access work. Ergonomic padding wraps around the worker's back and shoulders for exceptional support and ventilation strips on the back and leg loops allow for air flow.

Ventral attachment features two loops: the upper loop is for attaching a chest harness and chest ascender and the lower loop holds the ventral D-ring for attaching lanyards and rope tools. Equipped with a keeper strap for securing a chest ascender in a streamlined way.

STS automatic buckles on the leg loops.

5 aluminum alloy attachment points: 1 sternal and 1 dorsal for fall arrest, 1 ventral for suspension and 2 side for positioning and restraint.

Equipped with NFC TRACK tag for digital identification.

2 sizes.

NEW: equipped with the compact auto-locking Nexum carabiner for the connection between the sit and chest parts of the harness. The Nexum is notable for its low profile with a shortened height that does not hit the sternum like fullsize carabiners, as well as its clean closure and smooth 3Lock opening and closing action. The anti-rotation pin can be removed in order to capture the Turbochest ascender.

GOLDEN TOP EVO ALU
BLACK
094123



Steel buckles for chest adjustment

High strength polyester webbing 44 mm

Forged aluminium fall arrest rings

Chest ascender fastening system

3D mesh padding for exceptional support

Compact Nexum carabiner

Steel buckles for belt adjustment

Forged aluminium ventral ring

Forged aluminium positioning ring

CE label including batch and serial number

Gear-loops

Patented STS automatic buckles

Reinforced webbings

Ref.	Product name Nombre del producto	Size Tallas	Weight Peso		Waist Cintura	Legs Pernas	Height Altura	CE			EAC	Attachment points Puntos de anclaje
			g	oz	B (cm)	C (cm)	D (cm)	EN 358	EN 361	EN 813		
094122	GOLDEN TOP EVO ALU	S-L	2020	71.3	70-110	45-65	55-75					
094123	GOLDEN TOP EVO ALU BLACK	L-XXL	2120	74.8	80-130	55-75	65-85					

NEXUM

Technical information for our new suspension harness carabiner

The Nexum is an innovative carabiner designed specifically for suspension harnesses.

It has been specially developed for a very clean interface with the specific width of the webbing and is notable for its low profile with a shortened height that does not hit the sternum like full-size carabiners, as well as its clean closure and smooth 3Lock opening and closing action. The anti-rotation pin can be removed in order to capture the Turbochest ascender.

Lightweight aluminum alloy construction (62 g) with a breaking strength of 20 kN.

WARNING: The Nexum is intended for use as an attachment between the sit and chest parts on certified harnesses for working at height. It cannot be removed and used for other purposes.

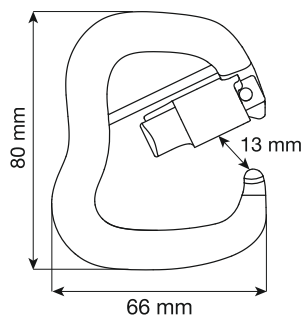


- Trapezoidal shape
- Breaking load > 20 kN
- Aluminum alloy body and gate
- Ultra compact
- 3Lock auto-locking gate
- Keylock closure

Space for inserting the Turbochest ascender



- 2 mm Allen key (not supplied)
- M4 screw
- Stainless steel anti-rotation pin, d.3 mm



C.A.M.P. presents in this catalog a **complete solution for the digital management of PPE**, both for allocation to users and for periodic inspections: the **NFC TRACK hardware tags on the products** work seamlessly with the **G.T.S. - Gear Tracking System software** to make the system very intuitive and easy to use.

NFC TRACK chips are installed on many C.A.M.P. products.

They can also be attached directly on any PPE by the user, so that the user can assign the PPE data to the chip by means of the C.A.M.P. G.T.S.



NFC (Near Field Communication) technology is now present on most smartphones and used every day for smart payments. Today, it also represents the future for the individual identification of products.

The **HF RFID** (High Frequency Radio Frequency Identification) communication system on which NFC is based allows the C.A.M.P. NFC TRACK to be easily read using any latest generation smartphone or for professionals using a PC reader.

NFC TRACK chip installed!



- G.T.S. - GEAR TRACKING SYSTEM

G.T.S. allows professionals to easily manage PPE both via the smartphone app (available on Play Store and Apple Store) and from a PC via the web app (campgts.it).

Two different packages allow for carrying out periodic inspections and also for managing the company allocation of PPE to its employees.

The database of **G.T.S.** includes the **technical information of all C.A.M.P. products** for work at height and a **large number of other products** posted by other users of the community with publicly available information.

campgts.it

